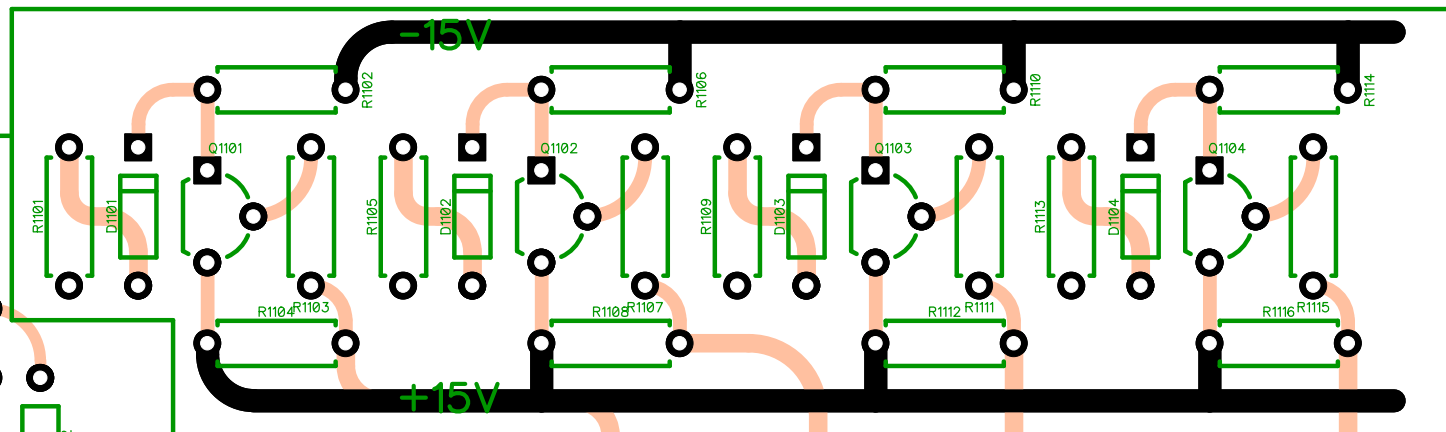
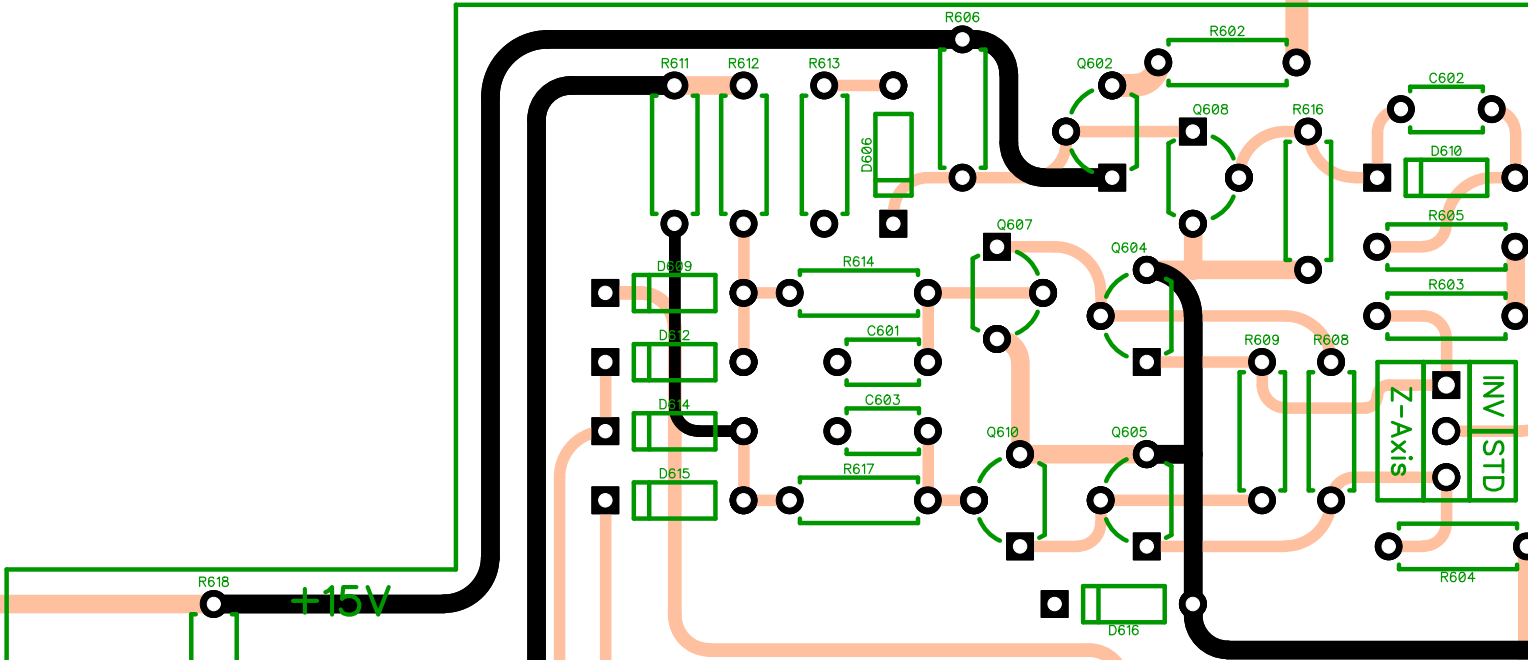
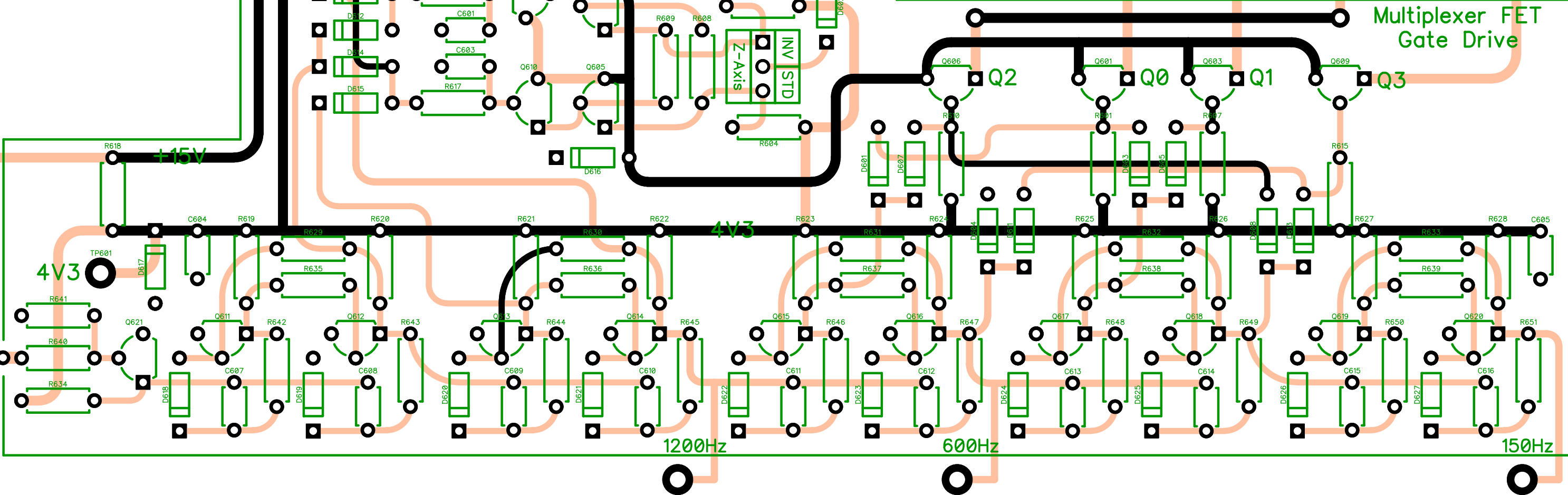


### Multiplexer Logic



### Multiplexer FET Gate Drive



Clock

4V3

+15V

4V3

-15V

+15V

1200Hz

600Hz

150Hz